

BLC-300D5 BLC-600D5

BELT TYPE RGB FULL COLOR SORTING MACHINE



BLC-300D5

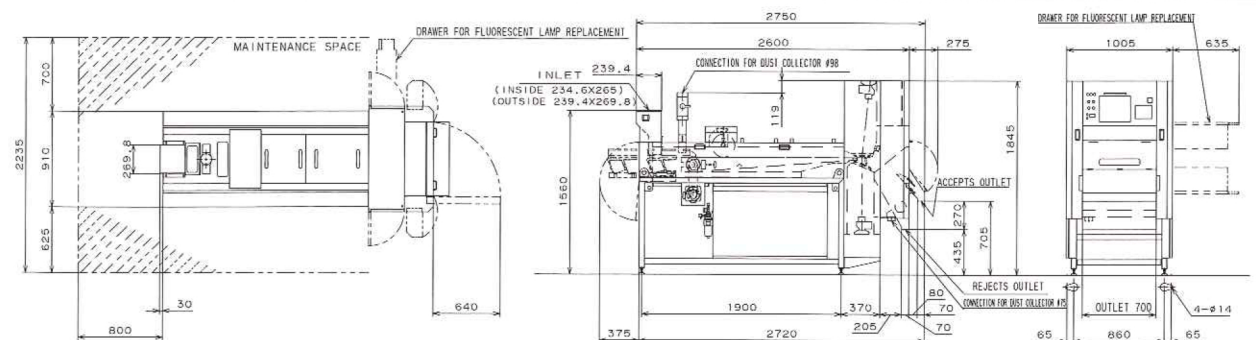


BLC-600D5

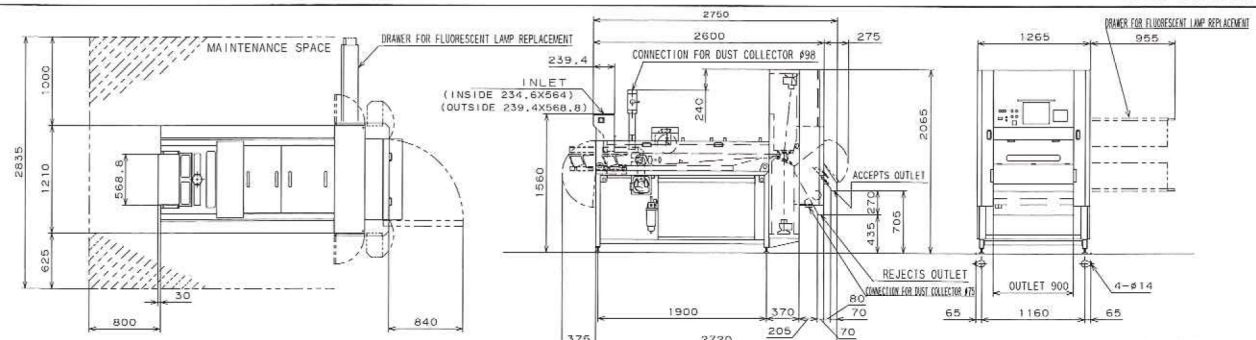
SPECIFICATIONS

MODEL	BLC-300D5	BLC-600D5
LENGTH	2750mm	2750mm
WIDTH	1005mm	1265mm
HEIGHT	1845mm	2065mm
WEIGHT	690kg	880kg
CAMERA	2 (TOP/BOTTOM EACH HAS 1)	2 (TOP/BOTTOM EACH HAS 1)
NO.OF EJECTOR	60 (NOZZLE PITCH 5mm)	120 (NOZZLE PITCH 5mm)
NO.OF MEMORY	22	22
LIGHT	FLUORESCENT LAMP (Total 10) LED LAMP (Total 960)	FLUORESCENT LAMP (Total 10) LED LAMP (Total 1632)
AIR COMPRESSOR	5.5kw EQUIVALENT	11kw EQUIVALENT
DUST COLLECTOR	0.75kw EQUIVALENT	1.5kw EQUIVALENT
POWER	SINGLE PHASE 200V/220V 3.2KVA 3-PHASE 200V 0.6KW	SINGLE PHASE 200V/220V 4.8KVA 3-PHASE 200V 0.95KW
AIR PRESSURE	0.2~ 0.4 MPa (2~4kgf/cm ²)	0.2~ 0.4 MPa (2~4kgf/cm ²)
BODY	STEEL & STAINLESS (SUS430)	STEEL & STAINLESS (SUS430)
CAPACITY	RED BEAN 1.5~2.0ton/Hr	RED BEAN 2.0~3.0ton/Hr
	SOY BEAN 0.5~1.5ton/Hr	SOY BEAN 1.0~3.0ton/Hr
	KIDNEY BEAN 1.5~2.0ton/Hr	KIDNEY BEAN 3.0~4.0ton/Hr
	NAVY BEAN 1.2~1.7ton/Hr	NAVY BEAN 2.4~3.4ton/Hr

DIMENSIONS & DESCRIPTIONS



BLC-300D5



BLC-600D5



ISO9001
Address : ANZAI MANUFACTURING CO.,LTD.
HEAD OFFICE
Registration Scope
: Design,Development,Production,
Installation,and Servicing of Sorting of Machines.



IROM ITALIA s.r.l.
IMPORT - EXPORT
RICE MILLING MACHINERY - LABORATORY EQUIPMENT

Via Volturmo, 80 - Fontana Bldg.
20861 Brugherio (MB) Italy
tel. 0039 039 87 86 73 fax 0039 039 88 48 28
info@iromitalia.com www.iromitalia.com

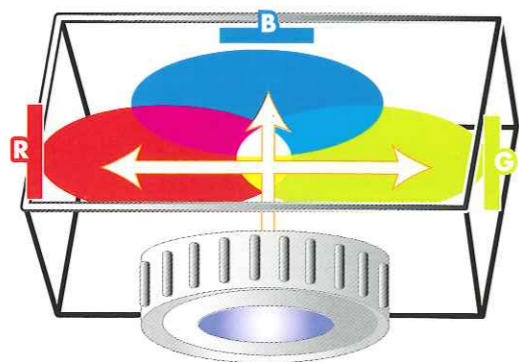
BLC-300D5 BLC-600D5

BELT TYPE RGB FULL COLOR SORTING MACHINE

Modern technology know-how, long history of seeking precise sorting,
New BLC series provide clean and safe food to YOU!

3CCD camera

3CCD camera has three sensors, R(Red), G(Green), B(Blue) and each sensor has 2048pixels. Those sensors can detect subtle color difference and increase profits with a greater consistency of products.



LARGER MODEL BLC-600D5

New BLC with belt width of 600 mm provides bigger capacity! It can process 3ton/hr of red bean and soy bean, and 4ton/hr of kidney bean.



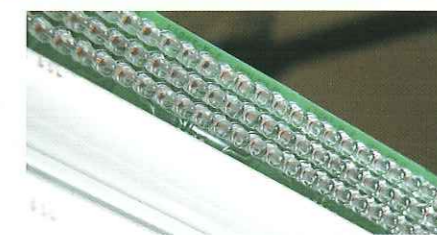
Sorted Samples



Special Features of BLC

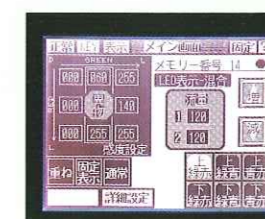
1. LED lamp

Anzai's special CCD camera can detect near infrared range and enable to remove sand, glass, and plastics. LED lasts longer and saves cost when it is compared to halogen lamp.



2. Upgraded sorting accuracy

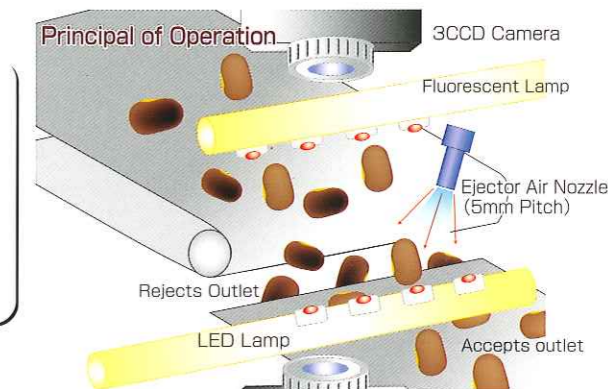
You can set up different sorting data for discolored and foreign materials. Dwell length is adjustable based on weight and size of the materials.



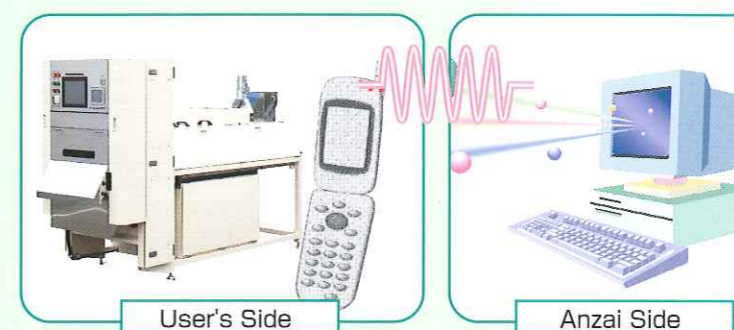
Glass
Plastic
Metal·Clod·Sand etc..

3. Improved air nozzle

Size of air nozzle pitch changed to 5mm from 10mm to avoid rejecting good products along with bad products.



4. Net Sort *



Net Sort is a network system. The computer at Anzai is linked to the machine by standard telephone line. With net sort network connection, Anzai can troubleshoot and solve problems of the machine quickly and at low cost.*

(Currently, we have been testing Net Sort in overseas.)

5. Easy Maintenance

Lights and belts are very easy to change. Viewing glass surface is automatically cleaned by cleaner and sweeper.

