

DAZ/CFR-6000SI R10



Paddy Husker  
**DAZ/CFR-6000SI R10**

**ZACCARIA**

# Paddy Husker DAZ/CFR-6000SI R10

Looking for constant research and development, Zaccaria created a new Paddy Husker, model DAZ/CFR-6000SI R10. The Paddy Husker model DAZ-6000SI, that works with international standard 10x10 rubber rolls, is assembled with the husking chamber separation model CFZR-6000. This chamber has a screw which ensures better efficiency in rice distribution, due the perfect distribution of rice flow which achieve a good husk separation.

For companies that are looking for a Paddy Husker and Chamber with good cost-benefit, for sure this is the best option.

Zaccaria has been using the state-of-the-art technology and high quality components, ensuring high productivity with low levels of broken grains and low consumption of rubber rolls.

### Model:

DAZ/CFR-6000SI R10

### Power / Poles:

Paddy husker	Husk chamber	Fan
7,5 kW / IV	3 kW / IV	0,18 kW / II
10 hp / IV	4 hp / IV	0,25 hp / II
Paddy Husker	Chamber	
Feeder	Feeder	
0,36 kW / IV	0,55 kW / IV	
0,5 hp / IV	0,75 hp / IV	

### Capacity: Input capacity on paddy (kg/h):

4.000 to 5.500

### Feeding compressed air pressure:

bar (kgf/cm <sup>2</sup> )	lbf/in <sup>2</sup>
7,0	100

### Air consumption:

pcm	l/min
0,01	0,30

### Air Flow required for aspiration of paddy husker (m<sup>3</sup>/min):

6,0

### Air Flow required for aspiration of husking chamber (m<sup>3</sup>/min):

9,0

### Approx. shipping volume with feed hopper (m<sup>3</sup>):

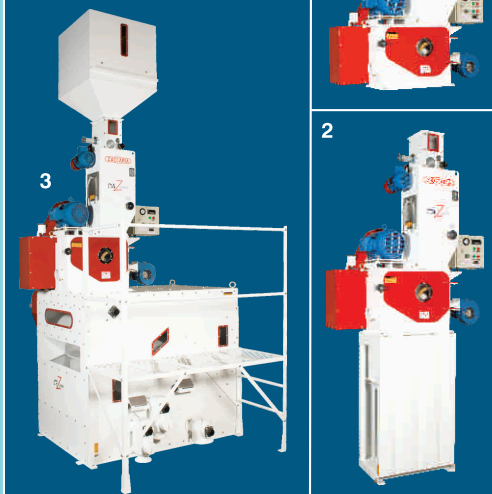
13

### Approx. shipping weight with feed hopper (kg):

1700

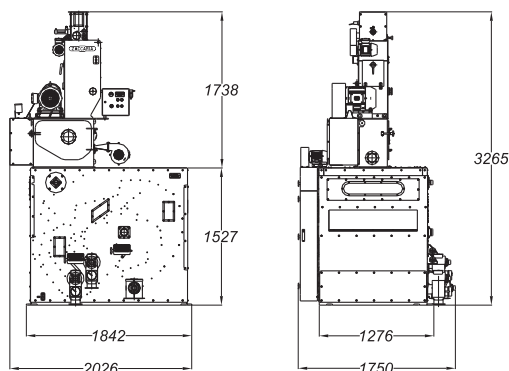
#### Assembly options

- 1 - Basic Paddy Husker.
- 2 - Base Paddy Husker (optional).
- 3 - Paddy Husker and Chamber with optionals: Feed hopper, structure with handrail and strairs.

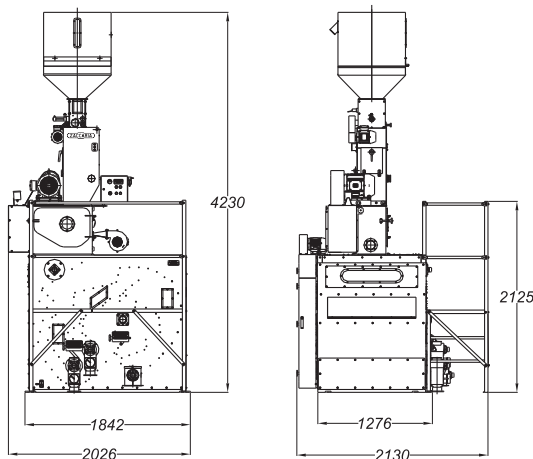


### CHARACTERISTICS

- Equipped with high and low level sensors ensuring a uniform process.
- Set of hydraulic damping, exclusivity by Zaccaria which ensures a uniform husking operation with less vibration, thereby providing a better husking index with lower pressures and less broken kernel.
- Closed circuit husking chamber.
- Adjustable distribution screw, thereby ensuring a better rice distribution.
- Safety device against rice jam at the screw's output.
- Maintenance structure with handrail (optional) increasing the operator security.
- Feed Hopper (optional).
- Feeding system manufactured in stainless steel increases the durability of the components, due to abrasiveness of paddy rice.
- Cooler system for rubber rolls, reducing the temperature thereby increasing its durability and improving the husking rate.



Equipment without optionals (measures in mm)



Equipment with optionals - feed hopper and maintenance structure and handrail and stairs. (measures in mm)



## IRROM ITALIA s.r.l.

IMPORT - EXPORT  
RICE MILLING MACHINERY - LABORATORY EQUIPMENT

Via Voltorno, 80 - Fontana Bldg.  
20861 Brugherio (MB) Italy  
tel. 0039 039 87 86 73 fax 0039 039 88 48 28  
info@iromitalia.com www.iromitalia.com



**Note:** - Production in kg/h, based on tests with Brazilian long grain rice.  
- The recommended rice moisture for the best use is within 12-13% (B.U.)  
- Other applications consult us.  
- Machine originally supplied with motors.

Indústrias Machina Zaccaria S/A reserves the right to change the information contained in this catalog, including the color and details of the machine, without previous notice.