

ZX-25



Rice Milling
Machine
ZX-25

ZACCARIA

Rice Milling Machine ZX-25

The Zaccaria Rice Milling Machine model ZX-25 was developed to achieve the requirements of small rice milling industries. This compact machine is easily operated and produce up to 900 kg/h of white rice with a final product of excellent quality.



Length Grader TRIZX-25 (optional)

Separates rice kernels by length (whole grain, 3/4, 1/2 and 1/4), depending on the size of the indents used.

The quantity of grading cylinders to be used depends on the user's separation needs.

Power:
0,25 kW / 1/3 hp / IV poles (each cylinder).

Capacity:
750 to 900 kg/h (each cylinder).



Originally supplied with motor.

Sieve Separator PZX-25

Separates impurities that are larger than rice kernels and fine broke rice from the head rice by sieving.

Power: 0,4 kW / 0,5 hp / VI poles.

Capacity: 750 to 900 kg/h (on milled rice).



Originally supplied without motor.

Exhausting System

Removes and collects husk from the aspiration chamber and bran from the whitening section.

Power required:
Fan
5,5 kW / 7,5 hp / II poles.

Rotary Valve
0,4 kW / 0,5 hp / VI poles.



Originally supplied with motor.



Brown Rice and Whitening Unit AIZX-25

This compact machine includes a paddy husker that uses 6"x 8.3/4", rubber rolls, husk separation chamber, paddy separator with indented trays and whitener that process the paddy rice to white rice efficiently, providing high yield of whole grains and excellent finishing surface.

Power:
22,5 kW / 30 hp /
IV poles.

Capacity:
750 to 900 kg/h
(on brown rice).

Originally
supplied without motor.



Brush Polisher PEZX-50 (optional)

Removes the retained bran coming from the whitening section, providing grains of better appearance.

Power:
2,2 kW / 3,0 hp /
IV poles.

Capacity:
750 to 1800 kg/h
(on milled rice).

Originally
supplied with motor.



Water Polisher WPZ-30/S (optional)

This Horizontal Water Polisher removes the superficial bran retained on the rice by friction with controlled humidity system, providing limpid and shine aspect to the final product.

Power consumption:
15 kW / 20 hp / IV poles.

Capacity:
1500 until 1800 kg/h
(output).

Originally supplied without motor.



Pre-cleaner PLRZ-1 (optional)

Separates impurities that are larger, smaller and lighter than the rice kernels with great efficiency.

Power:
0,74 kW / 1,0 hp /
VI poles.

Capacity:
Up to 2000 kg/h
(on paddy).

Originally
supplied without motor.



ZX-25

Rice Milling Machine ZX-25

Model:

ZX-25

without optionals with optionals

Power:

40 hp 47,6 hp
(29,5 kW) (35,10 kW)

Approx. shipping volume (m³):

15 26

Approx. shipping weight (kg):

2350 3950

Capacity of paddy, with or without optionals (kg/h):

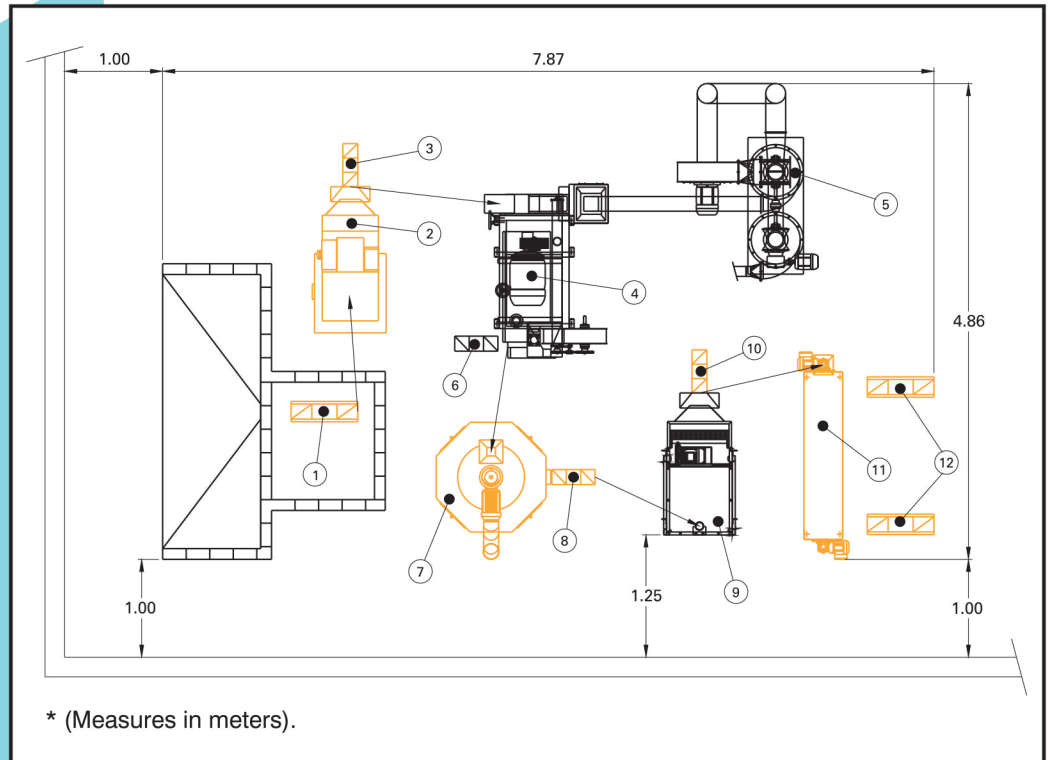
1050 to 1250

Capacity of white rice, with or without optionals (kg/h):

750 to 900

Notes: The above specifications are for the installation layout as above suggested.

- For optimum yield, paddy should be processed within 12% to 13% of moisture.
- For optimum yield, the percentage of impurity should not exceed 1,5%.



CHARACTERISTICS

- 1 - Elevator for discharge hopper (optional).
- 2 - Pre-cleaner PLRZ-1 (optional).
- 3 - Elevator for the pre-cleaner outlet (optional).
- 4 - Brown rice and whitening unit AIZX-25.
- 5 - Aspiration system for bran and husk.
- 6 - Outlet elevator of the brown rice and whitening unit AIZX-25.
- 7 - Brush polisher PEZX-50 or WPZ-30/S (optional).
- 8 - Elevator for polisher outlet (optional).
- 9 - Sieve PZX-25 fine broken rice.
- 10 - Elevator for PZX-25 outlet (optional).
- 11 - Length grader TRIZX-25 (optional).
- 12 - Elevator for length grader TRIZX-25 outlet (optional).

Note: Elevators are originally supplied without motor.



OUR EXPERIENCE MAKES THE DIFFERENCE



IRON ITALIA s.r.l.

IMPORT - EXPORT
RICE MILLING MACHINERY - LABORATORY EQUIPMENT

Via Volturno, 80 - Fontana Bldg.
20861 Brugherio (MB) Italy
tel. 0039 039 87 86 73 fax 0039 039 88 48 28
info@iromitalia.com www.iromitalia.com



Indústrias Machina Zaccaria S/A reserves the right to change the information stated in this catalog, including the color and other details, without previous note.